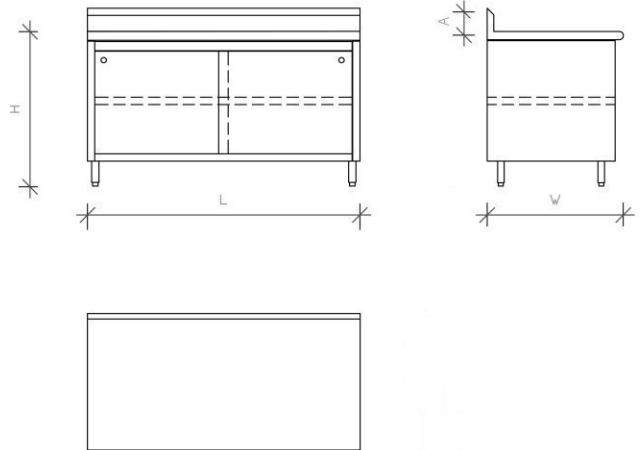
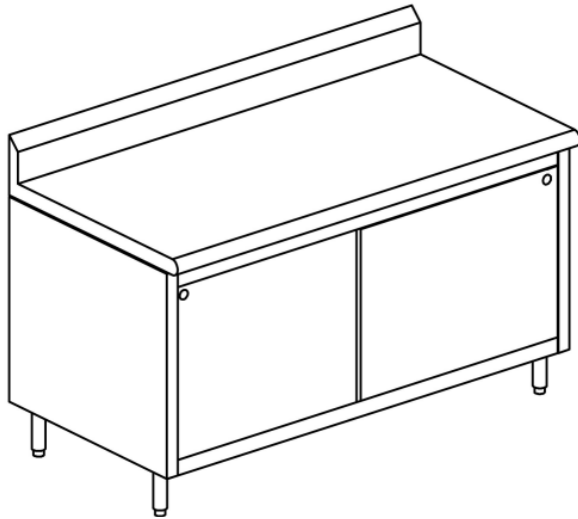




ITEM No.

ENGINEERING, TRADING & CONTRACTING
ENG. Hosny El Said & CO.

WORK COUNTER



SPECIFICATIONS

- ▶ **Body** • Satin finish stainless steel (304).
- ▶ **Top** • 1.2 mm thick stainless steel. • Sound deadened.
- ▶ **Legs** • 40 mm diameter round stainless steel tubes.
- ▶ **Doors** • Sliding.

TECHNICAL DATA

Model		MFP03-01				MFP03-02			MFP03-03		
Type		Neutral				Snack Neutral			Plate Storage		
Dimensions (mm)	Length (L)	880	1120	1380	1500	400	800	1200	1120	1380	1500
		1880	2380	2880		1600	2000		1880	2380	2280
	Depth (W)	750						400			
	Height (H)	850				550			850		
	Back Splash (A)	140									
Stainless Steel Middle Shelf		✓							✓		

▶ Other sizes and specifications are available upon request.

OTHER AVAILABLE MODELS

- ▶ **OPEN NEUTRAL COUNTER (MFP04-09)**
 - Same dimensions as above.

MASTER, in line with its policy to continually improve its production, reserves the right to change specifications without notice

381 Marwa St., Omar Bin El Khatab zone, Gisir El-Suez, Cairo, Egypt.

Tel :+202 26998710 - Fax:+202 26998710 * Mobile:+2 0123256512 * +2 0184098127 .

Www. Mastereng-eg.Com ** Info@Mastereng-eg.Com

Corporate Member – Foodservice Consultants Society International