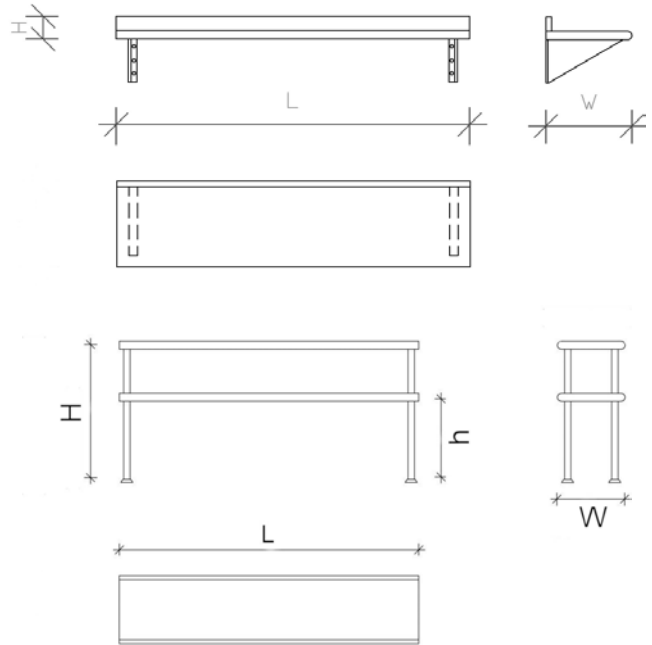




ENGINEERING, TRADING & CONTRACTING
ENG. Hosny El Said & CO.

ITEM No.

WALL MOUNTED SHELF OVER MOUNTED SHELF



SPECIFICATIONS

- ▶ **Body** • Satin-finish stainless steel (304).
- ▶ **Shelf** • Stainless steel 1.2 mm thick.
- ▶ **Support** • 1.5 mm thick stainless steel brackets.

Wall Mounted Shelf

Over Mounted Shelf

- 25 mm diameter stainless steel posts.

TECHNICAL DATA

Model		MFP04-01		MFP04-08	
Type		Wall Mounted Shelf		Over Mounted Shelf	
Dimensions (mm)	Width (W)	300	400	600	300
	Height	(H)	150		500
		(h)			300
	Length (H)	Up to 2900			

▶ Other sizes and specifications are available upon request.

MASTER, in line with its policy to continually improve its production, reserves the right to change specifications without notice

381 Marwa St., Omar Bin El Khatab zone, Gisir El-Suez, Cairo, Egypt.
Tel :+202 26998710 - Fax:+202 26998710 * Mobile:+2 0123256512 * +2 0184098127 .
Www. Mastereng-eg.Com ** Info@Mastereng-eg.Com

Corporate Member – Foodservice Consultants Society International