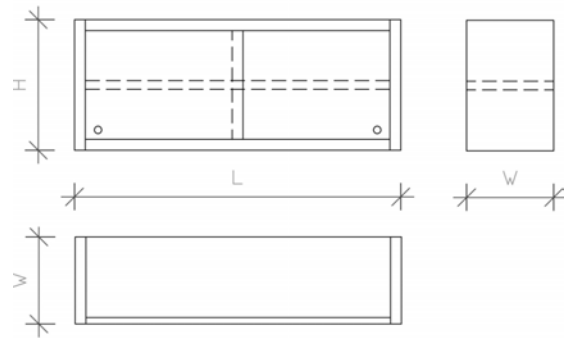




ENGINEERING, TRADING & CONTRACTING
 ENG. Hosny El Said & CO.

ITEM No.

WALL CUPBOARD



SPECIFICATIONS

- ▶ **Body** • Satin-finish stainless steel (304).

TECHNICAL DATA

Model		MFP03-07				MFP03-08			
Type		With Sliding Doors				Open Cupboard			
Dimensions (mm)	Length (L)	1130	1380	1500	1880	1130	1380	1500	1880
	Width (W)	400							
	Height (H)	600							

- ▶ Other sizes and specifications are available upon request.

MASTER, in line with its policy to continually improve its production, reserves the right to change specifications without notice

381 Marwa St., Omar Bin El Khatab zone, Gisir El-Suez, Cairo, Egypt.

Tel :+202 26998710 - Fax:+202 26998710 * Mobile:+2 0123256512 * +2 0184098127 .

Www. Mastereng-eg.Com ** Info@Mastereng-eg.Com

Corporate Member – Foodservice Consultants Society International