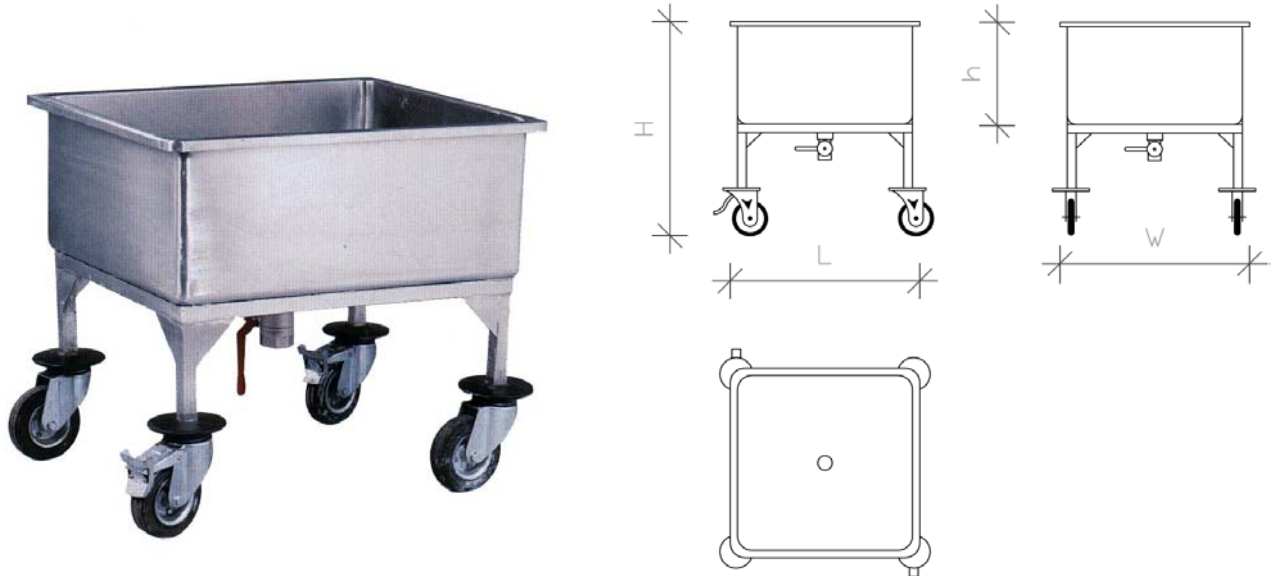




ITEM No.

ENGINEERING, TRADING & CONTRACTING
ENG. Hosny El Said & CO.

SILVER SOAK SINK



SPECIFICATIONS

- ▶ **Body**
 - Satin finish stainless steel (304).
 - Bottom corners coved for hygienic purposes
- ▶ **Sink Bowl**
 - 1.5 mm thick stainless steel.
 - 2" diameter drain shutoff valve.
- ▶ **Legs**
 - 25 mm × 25 mm stainless steel tubes.
- ▶ **Casters**
 - Four 5" swivel rubber casters.
 - Two casters are equipped with brakes.

TECHNICAL DATA

Model		MFP02-07
Dimensions (mm)	Length (L)	650
	Depth (W)	650
	Height (H)	650
	Bowel Depth (h)	350

▶ Other sizes and specifications upon request.

MASTER, in line with its policy to continually improve its production, reserves the right to change specifications without notice

381 Marwa St., Omar Bin El Khatab zone, Gisir El-Suez, Cairo, Egypt.

Tel :+202 26998710 - Fax:+202 26998710 * Mobile:+2 0123256512 * +2 0184098127 .

Www. Mastereng-eg.Com ** Info@Mastereng-eg.Com

Corporate Member – Foodservice Consultants Society International