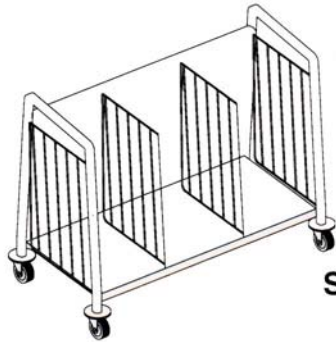




ITEM No.

ENGINEERING, TRADING & CONTRACTING
ENG. Hosny El Said & CO.

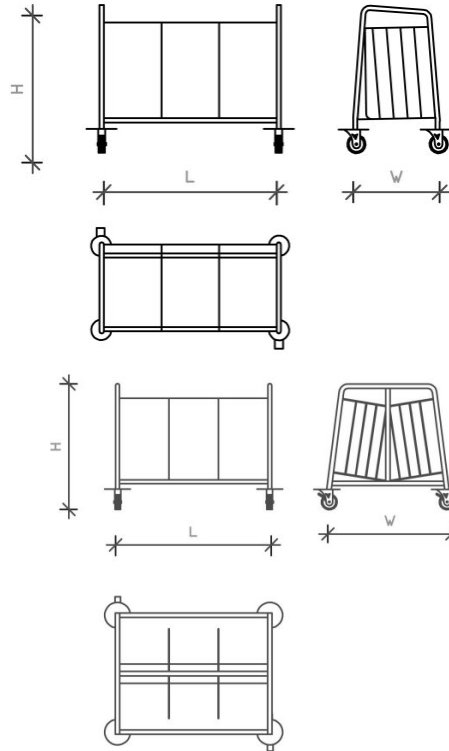
PLATE TROLLEY



Single side loaded



Double side loaded



SPECIFICATIONS

- ▶ **Frame** • 25 mm diameter stainless steel tubes.
- ▶ **Body** • 6 mm diameter stainless steel wires. • 50 mm wires spacing.
- ▶ **Casters** • Four 5" swivel rubber casters. • Two casters are equipped with brakes.

TECHNICAL DATA

Model		MFP05-04	MFP05-05
Type		Single Side Loading	Double Side Loading
Dimensions (mm)	Length (L)	100	
	Depth (Minimum W/Maximum W)	40/50	56/86
	Height (H)	85	

▶ Other sizes and specifications are available upon request.

MASTER, in line with its policy to continually improve its production, reserves the right to change specifications without notice

381 Marwa St., Omar Bin El Khatab zone, Gisir El-Suez, Cairo, Egypt.

Tel :+202 26998710 - Fax:+202 26998710 * Mobile:+2 0123256512 * +2 0184098127 .

Www. Mastereng-eg.Com ** Info@Mastereng-eg.Com

Corporate Member – Foodservice Consultants Society International