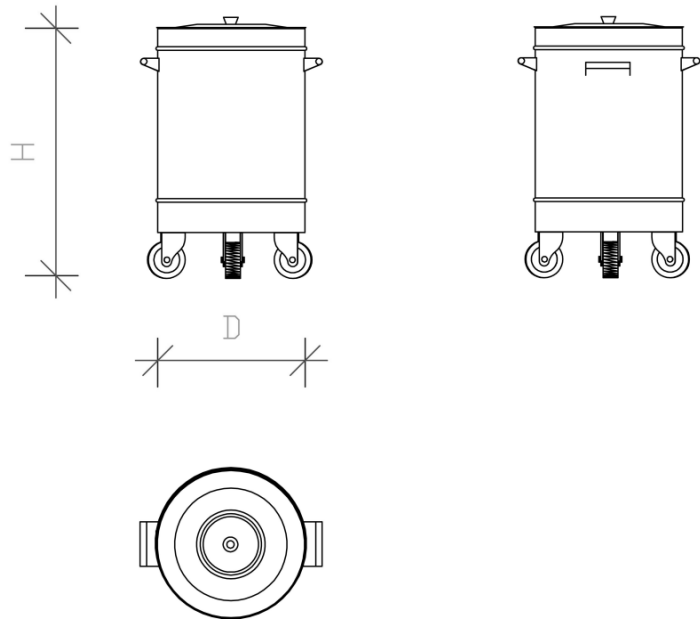




ITEM No.

ENGINEERING, TRADING & CONTRACTING
ENG. Hosny El Said & CO.

MOBILE GARBAGE BIN



SPECIFICATIONS

- ▶ **Body**
 - Satin finish 1.5 mm thick stainless steel (304).
 - Equipped with a cover and two handles.
 - Coved inside bottom corners for hygienic purposes.
- ▶ **Casters**
 - Three 3" swivel rubber casters.
 - Two casters are equipped with brakes.
- ▶ **Capacity**
 - 60 liters

TECHNICAL DATA

Model		MFP05-01
Dimensions (mm)	Diameter (D)	400
	Height (H)	600

▶ Other sizes and specifications are available upon request.

MASTER, in line with its policy to continually improve its production, reserves the right to change specifications without notice

381 Marwa St., Omar Bin El Khatab zone, Gisir El-Suez, Cairo, Egypt.

Tel :+202 26998710 - Fax:+202 26998710 * Mobile:+2 0123256512 * +2 0184098127 .

Www. Mastereng-eg.Com ** Info@Mastereng-eg.Com

Corporate Member – Foodservice Consultants Society International