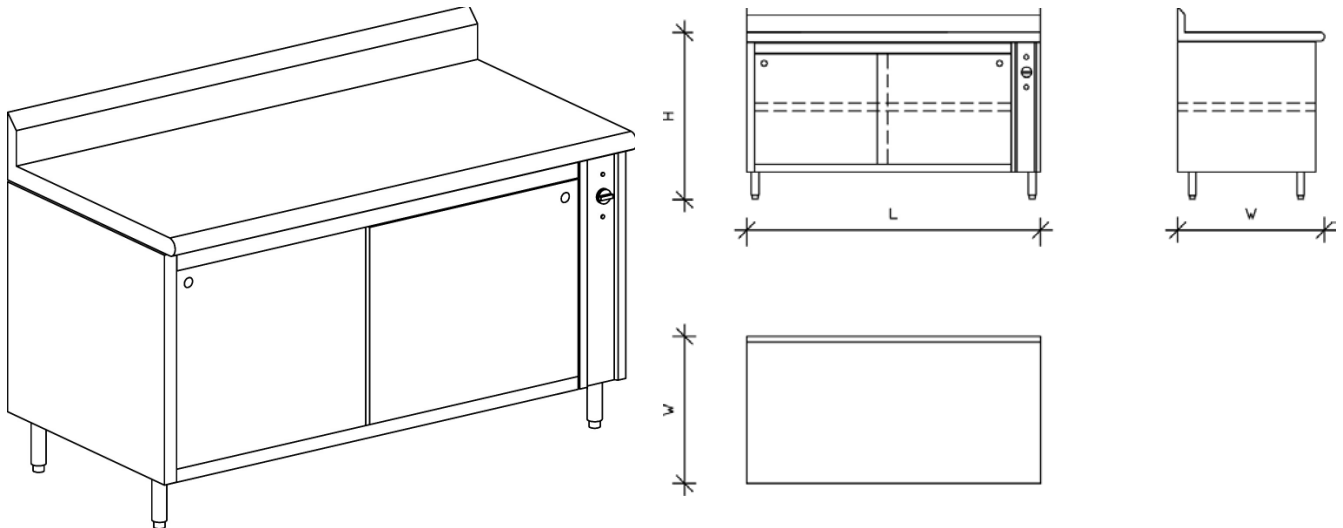




ITEM No.

ENGINEERING, TRADING & CONTRACTING
ENG. Hosny El Said & CO.

HEATED CABINET



SPECIFICATIONS

- ▶ **Body**
 - Satin finish stainless steel (304).
- ▶ **Top**
 - 1.2 mm thick.
- ▶ **Doors**
 - Sliding.
- ▶ **Heating Unit**
 - Thermostatically controlled by bulb thermostat from 30° to 80 °C and equipped with circulating fan.

TECHNICAL DATA

Model		MFP 03-12			MFP 03-10			MFP 03-11		
Type		Regular			Pass Through			Plate		
Dimensions (mm)	Length (L)	1100	1380	1500	1100	1380	1500	1100	1380	1500
		1880	2380	2280	1880	2380	2280	1880	2380	2280
	Depth (W)	750						400		
	Height (H)	850								
	Back Splash (A)	140								
Power	KW	2								
	Supply	220 V / 50 Hz / 1 ph								

- ▶ It is essential to correctly connect the equipment to earth.
- ▶ Other sizes and specifications are available upon request.

MASTER, in line with its policy to continually improve its production, reserves the right to change specifications without notice

381 Marwa St., Omar Bin El Khatab zone, Gisir El-Suez, Cairo, Egypt.

Tel :+202 26998710 - Fax:+202 26998710 * Mobile:+2 0123256512 * +2 0184098127 .

Www. Mastereng-eg.Com ** Info@Mastereng-eg.Com

Corporate Member – Foodservice Consultants Society International