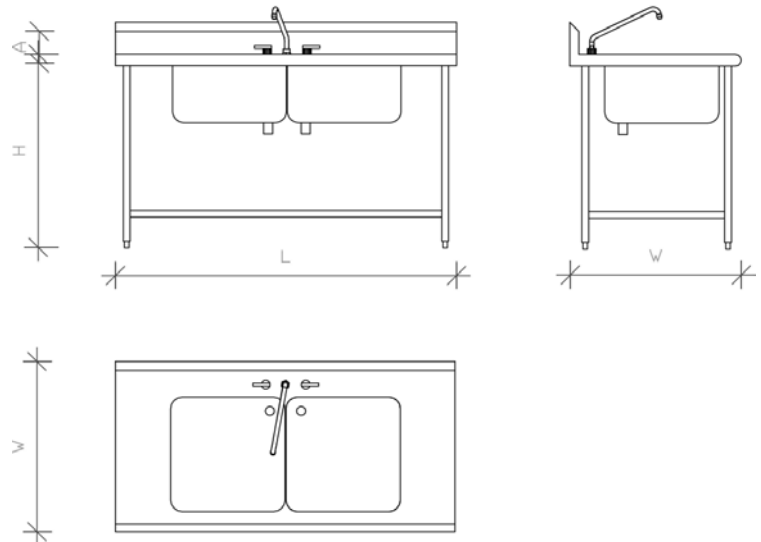




ENGINEERING, TRADING & CONTRACTING  
ENG. Hosny El Said & CO.

ITEM No. ....

## DOUBLE SINK UNIT



### SPECIFICATIONS

- ▶ **Body** • Satin-finish stainless steel (304).
- ▶ **Drain Board** • 1.5 mm thick.
- ▶ **Legs** • 40 mm diameter round section with adjustable feet.
- ▶ **Bowl** • Deep-drawn one piece bowl.

### ACCESSORIES

- Pre-rinse unit. • Mixing faucet sink. • Drain with overflow.

### TECHNICAL DATA

Model		MFP02-04				MFP02-05			MFP02-06	
Dimensions (mm)	Length (L)	1100	1500	1870	2370	1500	1870	2370	1870	2370
	Depth (W)	750								
	Height (H)	850								
	Back Splash (A)	140								
	Bowl (mm)	Imported	500 × 500 × 500				600 × 500 × 300			800 × 600 × 400
	Local									

- ▶ Bowl location and size should be provided.
- ▶ Other sizes and specifications are available upon request.

MASTER, in line with its policy to continually improve its production, reserves the right to change specifications without notice

381 Marwa St., Omar Bin El Khatab zone, Gisir El-Suez, Cairo, Egypt.

Tel :+202 26998710 - Fax:+202 26998710 \* Mobile:+2 0123256512 \* +2 0184098127 .

Www. Mastereng-eg.Com \*\* Info@Mastereng-eg.Com

Corporate Member – Foodservice Consultants Society International